



Intesis[®] BY HMS NETWORKS **AC Cloud Control**

INWFITOS001R0XX

**Wi-Fi interface for Toshiba
Digital Inverter and VRF air conditioners series**

1. Dimensions

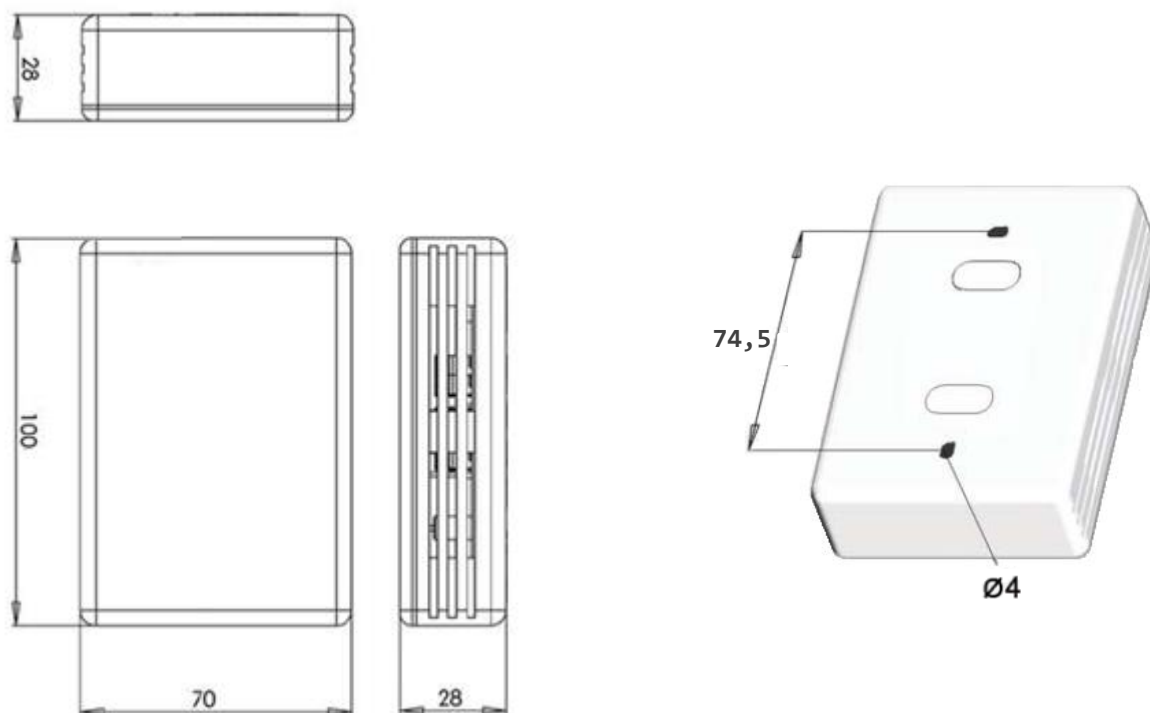


Figure 1.1 AC Cloud Control device dimensions in mm and back view with fixing holes

2. Technical Features

Enclosure	ABS (UL 94 V-0). 2,5 mm thickness
Dimensions	70 x 100 x 28 mm
Weight	103 g
Dimensions (including packaging)	133 x 135 x 35 mm
Weight (including packaging)	170 g
Colour	White
AC Connector	14V, 54mA typical
Power Supply	12DCV, 100mA
Radio Parameters	Wi-Fi 802.11 (b/g/n) RF Frequency band: 2.4 GHz. <i>Consult annex 1 for further information</i> Output power (average): 8 dBm (<i>Modulated signal at antenna chip; 11Mb/Sec.</i>)
Mounting	Wall
LED indicators	1 x Device status
Operating Temperature	From 0°C to 40°C
Operating humidity	<93% HR, no condensation
Stock humidity	<93% HR, no condensation
RoHS conformity	Compliant with RoHS2 directive (2011/65/CE).
Certifications	CE conformity to EMC directive (2014/53/EU). <ul style="list-style-type: none"> • EN 62368-1:2014 • CSA/UL 62368-1:2014 • AS/NZS 62368.1:2018 • EN 300 328 V2.1.1 • EN 303 446-1 V1.2.0 • Regulations: FCC/IC Standards: Title 47 CFR Part 15B ICES-003 (Issue 6)

Table 2.1 Technical features

Annex 1

The device can be configured in 3 different RF Modes:

- USA: 2412 – 2462 MHz (11 channels)
- Europe: 2412 – 2472 MHz (13 channels)
- Japan: 2412 – 2484 MHz (14 channels)

The factory settings are set to work in the most restrictive mode, USA: 2412 – 2462 MHz. Therefore, if the user doesn't change any of these parameters, the gateway is compliant with the most restrictive RF regulations, stricter than European's.