



Anybus ComBricks Head Station Type 1A with basic web server

Anybus ComBricks Head Station

The Head Station is the primary element of ComBricks and has to be inserted in the most left slot of the fixed backplane socket. It schedules the interaction between all modules and provides data storage and an Ethernet interface for the user.

Type 1A is the basic model and ALL Head Stations are hardware technically identical with type 1A.

Type 1B and 1C are enhanced types that contain a ProfiTrace core and advanced web server for permanent remote maintenance of the PROFIBUS installation over Ethernet (hardware is identical to the type 1A).

Type 1A: NO monitoring capabilities , no streaming, no OPC

Type 1B: Monitors 1 PROFIBUS network + ProfiTrace 2 streaming + OPC

Type 1C: Monitors 4 PROFIBUS networks + ProfiTrace 2 streaming + OPC

For monitoring repeater modules or slave modules are required to provide PROFIBUS telegrams on the backplane network.



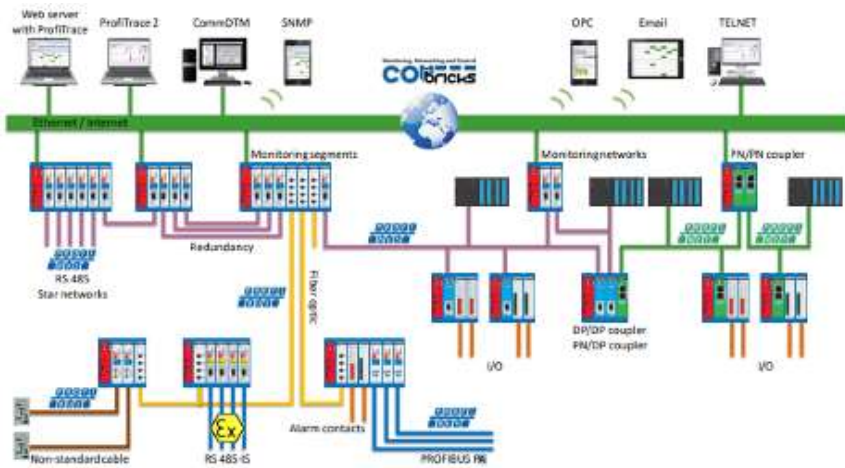
Distinctive features

- Drives 32 modules (10 high-speed modules)
- Wide range of modules available
- Hot swap and extendible
- Powerful web server
- ProfiTrace OE for monitoring 4 networks
- Multi-language
- DIN-rail mounting
- IP 20

Your benefits

- Remote monitoring of your installation
- Easy to use
- The only product with an integrated oscilloscope for permanent PROFIBUS control over Ethernet

- Remote maintenance station with ProfiTrace OE
- Modular repeater backbone with hot swap
- Transparent data hub (repeaters, fiber optic, RS-485-IS, DP slave, PROFINET, etc.)



Type differences (Hardware is identical with all types)

Head Station 1A	No ProfiTrace OE
Head Station 1B	ProfiTrace OE for 1 PROFIBUS network + ProfiTrace 2 live streaming + OPC (since June 2013)
Head Station 1C	ProfiTrace OE for 4 PROFIBUS networks + ProfiTrace 2 live streaming + OPC
For all Head Stations	CommDTM

Backplane

Modules	32 (10 repeater modules positioned in the first 10 slots)
Current available for the backplane	2.5 A
PROFIBUS networks	4
Compatible backplane units	101-200012, 101-200023, 101-200024, 101-200027

Power supply specifications

Power supply operating voltage range	12 to 24 VDC (tolerance range 11 to 26 VDC) Do not connect, if the power on backplane is supplied by a PWR-6A module.
Typical own Current consumption	73 mA at 24 VDC (externally powered) 230 mA at 5.72 VDC (externally or PWR-6A module powered)
Max. Current consumption	800 mA at 24 VDC (current consumption of other modules included)
Power dissipation	Max. 1.32 W (own power dissipation) Max. 20W (power dissipation of other modules included)
Reverse polarity protection	Yes
Redundant power supply	Yes

Wire diameter	< 2.5 mm ²
Installation notes:	The device shall be supplied from an isolating transformer having a secondary Listed fuse rated either: <ul style="list-style-type: none"> • Maximum 5 amps for voltages 12 to 20 V, or • Maximum 4 amps for voltages 21 to 24 V, or is supplied by a Class 2 power supply, or equivalent.

Ethernet

Connector	RJ-45
Cable length	Max. 100 m
Link speed	10 / 100 Mbps
MAC address	9C.B2.06.xx.xx.xx (label on the side of the Head Station)
Supported protocols	HTTP, FTP, SMTP, TELNET, DHCP, SNMP
Default IP address after reset/purchase	192.168.1.254
Connections	20 simultaneous web server clients

Relay contact

Resistance	300 mOhm (plug included)
Voltage	24 VAC
Current	0.5 A
<u>Installation notes:</u>	The Relay output shall be supplied from an isolating transformer having a secondary Listed fuse rated either: <ul style="list-style-type: none"> • Maximum 5 amps for voltages 12 .. 20 V, or • Maximum 4 amps for voltages 21 .. 24 V, or is supplied by a Class 2 power supply, or equivalent.

SD Card

Types	SD and SDHC
Size	Max. 32 GB (1 GB is provided)

Connector Lay-out

Power supply	Plug-able screw connector, pitch 5,08 mm Pin - : 0 V Pin +: 24 VDC
--------------	--

	Pin SH: Shield SH connected internally to DIN-rail with spring-loaded contact
Alarm contact	Pin 1: NO Pin 2: NO potential-free relay contact, normally open

Others

Weight	150 g
MTBF	2873918 hours, at 30 ⁰ Celsius, IEC TR 62380

Standards and approvals

CE	EMC Directive 2014/30/EU, class A Digital Device RoHS Directive 2011/65/EU
FCC	47 CFR 15, Unintentional Radiator, class A Digital Device.
UL	Report reference: E468970 Standards for safety: UL 508 - Industrial Control Equipment CSA C22.2 No. 142-M1987 - Industrial Control Equipment

File	Version	Size	Read online
------	---------	------	-------------

Ordering Information

Order Codes	101-20011A
Included Components	Anybus ComBricks Headstation
Warranty	1 year

Copyright © 2020 HMS Industrial Networks - All rights reserved.