



Anybus ComBricks 4 Channel Relay Module 5 A - 230 VAC Type 1

Anybus ComBricks 4 Channel Relay Module 5 A - 230 VAC Type 1

The Anybus ComBricks 4 Channel Relay Module 5 A - 230 VAC Type 1 is a standard 4 channel relay module with normally Open and normally Closed connectors. Can be controlled by the web server (Output Control menu), DP slave or PROFINET IO device. Suitable for 5 A - 230 VAC.

The relays can be configured in the ComBricks web server (Output Control menu) to respond directly to bus problems like; bus voltage too low, master lost and retries. This offers great applications to directly and independently act on the machine / process when the bus communication becomes unreliable. Especially when safety of human lives or the environment comes first.

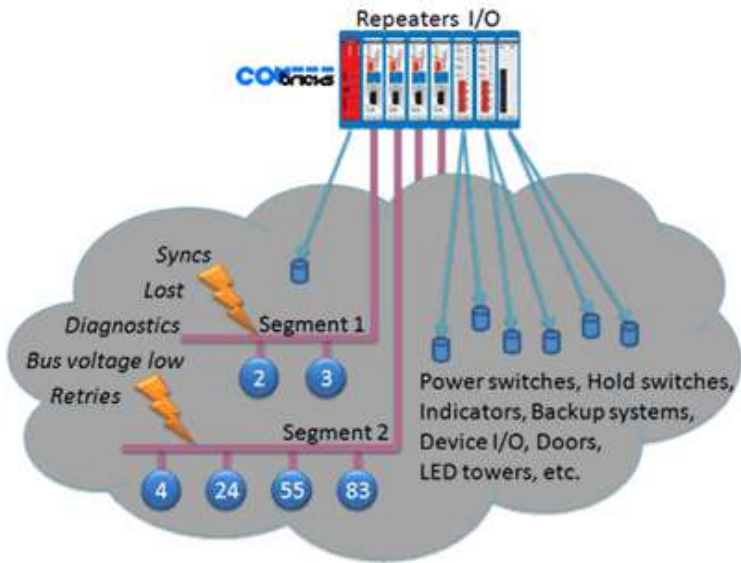
Power switches, hold switches, indicators, backup systems, device I/O, doors and LED towers are examples of machine parts that can be hooked up to the relays.

The configured settings are saved and activated after reset or power-up.



Distinctive features

- 4 Relays (2 on the front, and 2 on the bottom)
- 5 A - 230 VAC per relay (direct load)
- 300 mOhm resistance (including connectors)
- 100,000 Toggles at 5 A - 230 VAC
- Every channel can be customized
- Manual ON/OFF
- Timer ON/OFF
- Event: Retries, Lost, Bus voltage too low, etc



Backplane

Controllers	Web server, PROFINET IO device, PROFIBUS DP slave
Modules	32 (all slots)
Power supply	Provided through the backplane
Typical backplane current	225 mA (at 5.72 VDC)
Max. backplane current	500 mA (at 5.72 VDC) At this current consumption the module is switched OFF from backplane. Occurs when module is faulty, e.g. internal short circuit.
Compatible backplane units	101-200011, 101-200012, 101-200023, 101-200024, 101-200027

Relays

Relays	4 (2 on the front, and 2 on the bottom)
Current	5 A per relay
Voltage	230 VAC
Resistance	300 mOhm (including connectors)
Toggles	100000 (at 5A - 230 VAC)

Connectors

Pins	1 = No (normally open) 2 = Common 3 = Nc (normally closed)
Wire diameter (for the screw terminals)	< 2.5 mm ²
Wire type	100000 (at 5A - 230 VAC)

thers

Head Station firmware	V1.260 and later
Dimensions	140 x 110 x 25 mm
Operating temperature	0 .. 60 °C
Weight	125 g

File	Version	Size	Read online
------	---------	------	-------------

Ordering Information

Order Codes	101-210210
Included Components	Anybus Combrick, backplane socket
Warranty	1 year

Copyright © 2020 HMS Industrial Networks - All rights reserved.