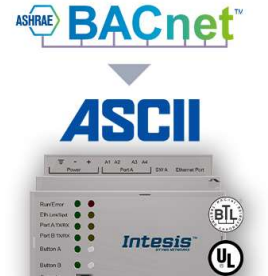


## BACnet IP & MS/TP Client to ASCII IP & Serial Server Gateway

Integrate any BACnet MS/TP or BACnet IP server device, with an ASCII BMS or any ASCII IP or ASCII serial controller. The aim of this integration is to make accessible BACnet objects data and resources from an ASCII based control system or device, as if it was a part of the own ASCII system and vice-versa.

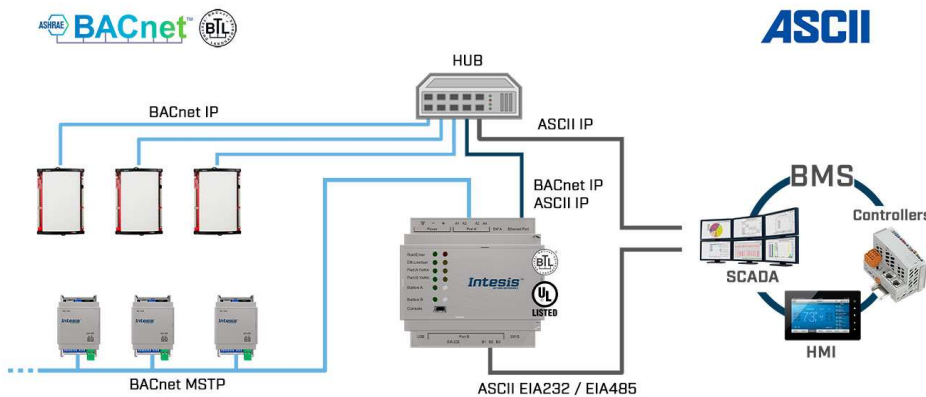


### FEATURES

- UL Certified
- BTL Certified
- Support for both ASCII IP and ASCII Serial (232/485)
- Automatically send a write request to the ASCII bus when its value changes
- Use personalized ASCII strings
- Both BACnet IP and MS/TP supported
- Possibility to scan for BACnet devices with BACnet Explorer
- Easy integration & updates with Intesis MAPS

### Use Case

**Integration of BACnet Devices into an ASCII controlled installation.**



### Description

This bidirectional gateway provides a straightforward and fast integration thanks to its unique onboard features. Thanks to its support for custom ASCII strings, a seamless integration with any ASCII BMS or controller it is guaranteed. The configuration is carried out using the Intesis MAPS software. This one allows you to define your own settings for the device. Also, it will be able to download all the available project templates or to import any created/exported project template on your computer.

### Technical Documentation

User Manual	General information about this product	<a href="#">Download</a>
Installation Manual	Learn how to install the device in your project	<a href="#">Download</a>

BTL Certification	Check the product certification	Download
EC Declaration of Conformity	Check the product certification	Download
KC Certification	Check the product KC Certification	Download

#### Programming Tool

Intesis MAPS	Configuration software tool	Download
--------------	-----------------------------	----------

#### Commercial Documentation

Intesis Brochure	Know more about the Intesis current available products	Download
------------------	--	----------

#### ORDER CODES:

INASCBAC6000000	BACnet IP & MS/TP Client to ASCII IP & Serial Server Gateway - 600 points
INASCBAC3K00000	BACnet IP & MS/TP Client to ASCII IP & Serial Server Gateway - 3000 points

#### INCLUDED COMPONENTS:

- Intesis Gateway.
- Installation Manual.
- USB Configuration cable.
- (Power supply not included).

Warranty: 36 months.